

Contents

1. Description
 - 1.1 Principle of an autoMACS™ Separation
 - 1.2 Applications
2. How to connect
3. Volumes required

1. Description

Components	6×1.5 L autoMACS™ Pro Washing Solution
Capacity	For up to 15 autoMACS Programs of priming and rinsing per bottle.
Product format	autoMACS Pro Washing Solution contains detergents and stabilizer. This solution is sterile filtered.
Storage	Store protected from light at room temperature. The expiration date is indicated on the bottle label.

1.1 Background information

autoMACS™ Instruments are designed for automated magnetic sorting of cell samples employing MACS® Technology. Prior to usage the autoMACS Separator or the autoMACS Pro Separator is primed with MACS Separation Buffer (autoMACS Running Buffer). Then, a magnetically labeled cell sample is applied to the instrument and the appropriate cell separation program is chosen. The cell separation process is performed automatically and proceeds as follows. The cell sample is loaded on the autoMACS Separation Column, which is placed in the magnetic field of the autoMACS Magnet. The magnetically labeled cells are retained within the column. The unlabeled cells are eluted as the negative fraction. Then, the magnet is retracted automatically from the column and the magnetically retained cells are eluted as the positively selected cell fraction. Before proceeding to the next cell sample the system is rinsed automatically with the wash program selected. After the last separation of the day autoMACS Instruments must be shut down with a short term or long term storage program. For more information please refer to the respective autoMACS User Manual.

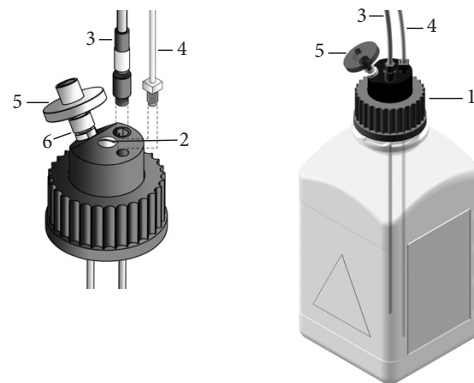
1.2 Applications

- autoMACS Pro Separator (# 130-092-545) rinsing programs Rinse, Sleep, and Store.
- autoMACS Pro Separator decontamination program Safe.

2. How to connect

The three different autoMACS Buffers, the autoMACS Running Buffer, the autoMACS Pro Washing Solution and the storage solution are directly connected with the autoMACS Pro Separator's fluidic system by color-coded bottle closures (1, for more information see also autoMACS Pro User Manual). The screw (2), fluid sensor cable connector (3), and tubing connector (4) of the Washing Solution's bottle closure are color-coded green. To connect a bottle of autoMACS Pro Washing Solution screw the bottle closure with the green color-code onto the buffer bottle.

▲ **Note:** The bottle closures are autoclavable. To autoclave unplug the fluid sensor cable (3), and unscrew the tubing connector (4) from the bottle closure. Discard the hydrophobic air filters (5). Take care not to remove the luer-to-thread air filter connector (6) from the bottle closure.



3. Volumes required

The following table indicates the buffer consumption during the different autoMACS Pro Programs:

Program	Volumes used [mL]		
	Running Buffer	Washing Solution	Storage (Cleaning) Solution
Separation program	50	–	–
Qrinse	50	–	–
Rinse	50	100	–
Sleep	–	100	50
Store	–	100	100
Safe*	100	100	5

*Additionally, 40 mL of MACS Bleach Solution are required.

All protocols and data sheets are available at www.miltenyibiotec.com.

Warranty

The products sold hereunder are warranted only to be free from defects in workmanship and material at the time of delivery to the customer. Miltenyi Biotec GmbH makes no warranty or representation, either expressed or implied, with respect to the fitness of a product for a particular purpose. There are no warranties, expressed or implied, which extend beyond the technical specifications of the products. Miltenyi Biotec GmbH's liability is limited to either replacement of the products or refund of the purchase price. Miltenyi Biotec GmbH is not liable for any property damage, personal injury or economic loss caused by the product.

MACS is a registered trademark and autoMACS is a trademark of Miltenyi Biotec GmbH.

Copyright © 2009 Miltenyi Biotec GmbH. All rights reserved.